

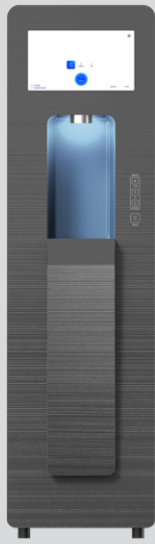


Q14

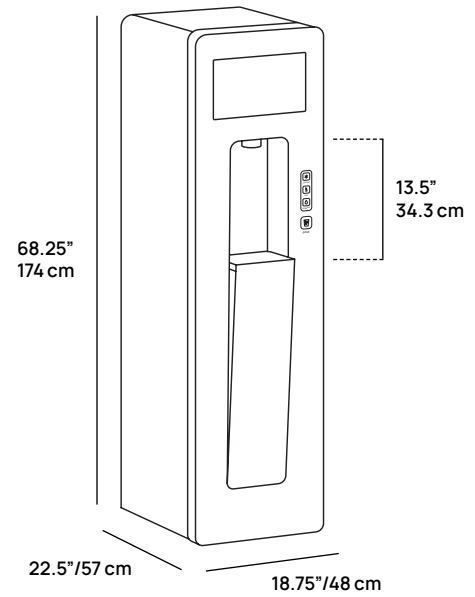
Commerical Capacity Bottlefree Water Cooler with quenchWATER+

Elevate hydration with the Q14! Designed for high-demand environments like fitness centers, warehouses, retail stores, education facilities, cafeterias, and shift-based workplaces, the Q14 delivers a massive 200 gallons of filtered quenchWATER+ daily – keeping users refreshed without slowing them down.





Specifications



Product Details

With a powerful dual RO system, patented cold recirculation, the Q14 ensures large volumes of cold mineral-infused and electrolyte-enhanced drinking water are ready on demand. The sleek 15.6" touchscreen allows for effortless control over pour speed and volume, making it easy to fill bottles, jugs, or multiple cups in seconds. The Q14's in-tank UVC LED technology and smart leak detection provide peace of mind. Reduce energy use with Eco Mode and Screen Saver Mode when demand slows and track the number of 12 oz. bottles saved with the on-screen bottle counter. When hydration matters most, the Q14 delivers – fast, fresh, and built for the most hydration demanding locations.

 Commercial Capacity

 Mineral+

Advanced Features

- Cold, ambient, and hot water mineral-infused, electrolyte-enhanced quenchWATER+ on-demand
- Advanced dual Reverse Osmosis (RO) system filters up to 200 gallons of water a day
- Sleek 15.6" touchscreen and ADA-compliant capacitive dispense for easy, accessible use
- Intuitive user experience with bottle saved counter and free pour or preset volume dispensing with customizable speed
- Patented cold recirculation technology ensures ice cold water with every dispense
- In-tank UVC LED light technology to maintain water quality
- Leak detection with automatic shut-off provides peace of mind
- Energy-saving Eco Mode and Screen Saver Mode for efficiency

Dimensions	8.25" h x 18.75" w x 22.5" d 174 cm h x 48 cm w x 57 cm d
Dispensing Area Height	13.5" / 34.3 cm
Weight	155 lbs. / 70.3 kg
Cold Dispense Flow Rate	Standard setting: 4 l/min Slow setting: 2 l/min
Cold Tank Capacity	5 gallons / 18.9 liters
Ambient Reservoir Tank Capacity	2.54 gallons / 9.6 liters
Hot Tank Capacity	1.1 gallon/4.2 liters
Water Pressure	35 - 70 PSI
Power Consumption	6.0A
Rated Voltage/Frequency	120V/60 Hz
Model Number	Q14

Culligan products are certified by independent authorized 3rd party laboratories in accordance with appropriate industry standards. To find out more about which certifications your product may have, please contact us.